

a) AC voltmetry t.p.0,5% nebo 1%

eximus[®] CS, s.r.o.

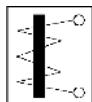
Čapkova 22, 678 01 Blansko

Tel.: +420 516 432 680-1

+420 516 433 701

Fax/tel./zázn.: +420 516 432 999

eximus@eximus.cz www.eximus.cz



MOVING IRON AC INSTRUMENTS

* Rated Accuracy : Class 0.5% or 1.0% of Full Scale value as per IS 1248/84, between 20% - 100% of scale.

STANDARD RANGES	
A.C. VOLTMETERS	
1 Range :	0-15, 30V, 60V, 75V, 100V, 125V, 150V, 250V, 300V, 500V, 600V
2 Ranges :	0-15/30V, 30/60V, 62.5/125V, 75/150V, 125/250V, 150/300V, 250/500V, 300/600V
3 Ranges :	0-30/60/120V, 75/150/300V, 62.5/125/250V, 125/250/500V, 150/300/600V

Délka stupnice: cca 140mm

ISO 9001-2015 Certified

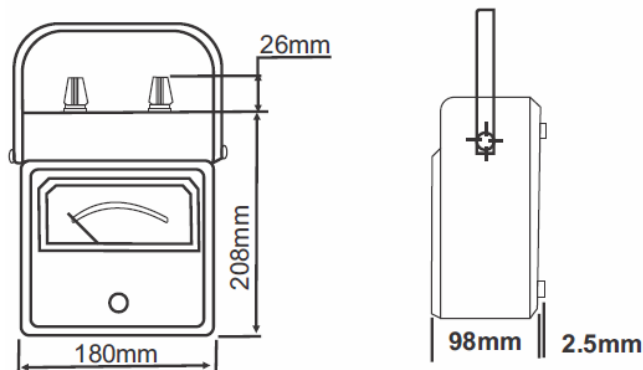
Testovací napětí: 2000V AC(rms) 1min.

Izolační odpor: přes 20MΩ při 500V

Portable Voltmeters are designed for the use in laboratories, field & test room where precision measurement is required. These portable instruments can be used in precision research laboratories where carefully controlled atmospheric conditions are secured, in educational institutions where possible misuses exist and in factories where these instruments are important for making calibration check on switchboard and panel instruments.

- Knife edge Pointer & Antiparallax mirror scale.
- Shock resistant Pivot jewel movement: The pivots are made from carbon steel hard chrome plated and are mounted in spring loaded sapphire jewels. This ensures shock resistance due to vibrations in transit and minimum friction during use.
- Tough Bakelite Case: The complete body of the instrument is made from superior grade of Bakelite and ABS. Unique design makes it strong in construction and at the same time provides very high insulation.
- Dust Proof: The movement is placed in a separate compartment making it completely dust proof, thus ensuring long life & years of trouble free service.
- Minimized Heating of Voltmeters or less internal heating due to low VA-loss: The resistances of Voltmeters are housed separately in a ventilated compartment making heating problems negligible.
- Quick Response due to unique damping.
- Confirming to BS 89, IEC 51 & ISS 1248.

DIMENSIONS




Plastové pouzdro-plášť přístroje:

b) AC voltmetry t.p.0.5%

These are Moving Coil or Moving Iron type instruments or dynamometric type instruments, specially designed to be operated in horizontal position (also in inclined position upto 45°) & can be carried along safely.

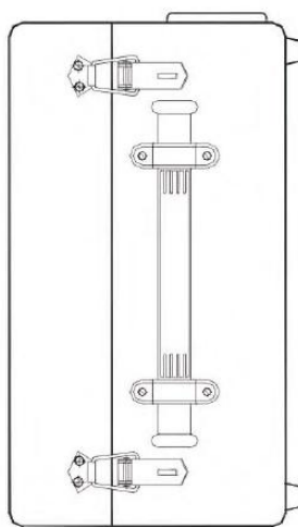
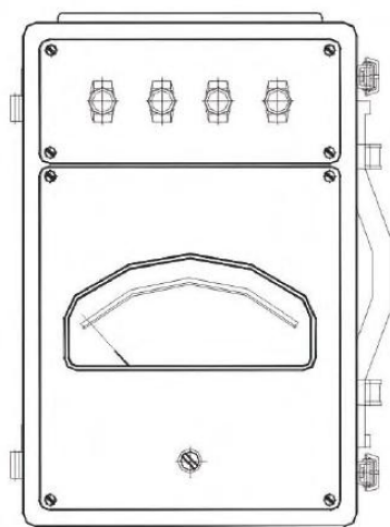
FEATURES / ADVANTAGES:

- ◆ Instruments with 0.5% accuracy class.
- ◆ Instruments with multiple scale available (refer table).
- ◆ Robust housing suitable for schools, workshops, field operations for continuous use.
- ◆ Precision instruments suitable for standard laboratories (Size: 1).

MODEL	TYPE	SCALE	RANGE	ACCURACY
 PORT LSPW-2	A.C.AMMETER.	Single	0.5A, 1A, 2.5A, 5A, 10A, 15A, 20A, 30A.	0.5%
		Dual	1/2A, 2.5/5A, 5/10A. & also 0.2/1A, 0.5/2.5A, 1/5A, 2/10A, 10/20A, 15/30A.	
	A.C.VOLTMETER	Single	62.5V, 75V, 125V, 150V, 250V, 300V, 500V, 600V	
		Dual	62.5/125V, 75/150V, 125/250V, 150/300V, 250/500V, 300/600V	
		Triple	62.5/125/250V, 75/150/300V, 125/250/500V, 150/300/600V	

Dřevěné pouzdro-plášť přístroje:

MECHANICAL SPECIFICATIONS

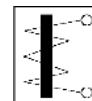


SIZE 1

SIZE	LENGTH mm	WIDTH mm	HEIGHT mm	HOUSING MATERIAL	MODEL IDENTIFICATION	SCALE		WEIGHT kg. (Approx.)
						LENGTH mm (Approx.)	DIVISION nos.	
1	300	200	155	Wooden Box	LSPW —	150	100 ~ 150	4
2	300	200	190	Wooden Box	LSPW —	150	100 ~ 150	5


c) AC voltmetry t.p.1%

These are Moving Coil DC, Moving Coil rectifier type AC, Moving Iron AC ammeters & voltmeters which are suitable for use in school, laboratories, workshops & for field operation. Specially designed to be operated in horizontal position (also in inclined position upto 45°) & can be carried along safely.



FEATURES / ADVANTAGES

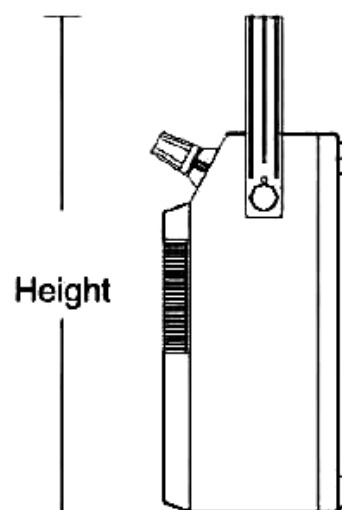
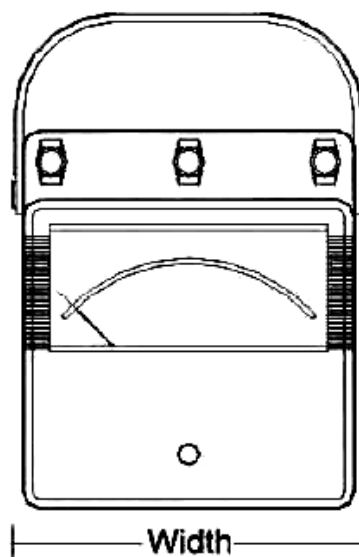
- ◆ Instruments with accuracy class 1.0% for DC/AC, 1.5% for Rectifier type AC.
- ◆ Instruments with multiple scale (refer table).
- ◆ Robust housing.

MODEL	TYPE	SCALE	RANGE	ACCURACY
 PORT MSSB-3	A.C.AMMETER.	Single	0.2A, 0.5A, 1A, 2.5A, 5A, 10A, 15A, 20A, 30A, 50A, 100A.	1.0%
		Dual	0.5/1A, 1/2A, 2.5/5A, 5/10A. & also 0.2/1A, 0.5/2.5A, 1/5A, 2/10A, 10/20A, 15/30A, 25/50A, 50/100A.	
		Triple	1/3/10A, 3/10/30A, 10/30/100A, 5/10/25A, 10/25/50A, 25/50/100A.	
		Quadruple	1/3/10/30A, 3/10/30/100A, 5/10/25/50A, 10/25/50/100A.	
		5 TH	1/3/10/30/100A, 5/10/25/50/100A.	
	A.C.VOLTMETER	Single	15V, 30V, 62.5V, 75V, 125V, 150V, 250V, 300V, 500V, 600V.	
		Dual	15/30V, 30/60V, 62.5/125V, 75/150V, 125/250V, 150/300V, 250/500V, 300/600V.	
		Triple	15/30/75V, 62.5/125/250V, 75/150/300V, 125/250/500V, 150/300/600V.	

MECHANICAL SPECIFICATIONS

Size	length	width	height	housing	model	Scale length	division	weight
1	250 mm	190 mm	80 mm	Black Engineering Plastic	MSSB	145 mm (approx)	60-150	1Kg (approx)

Plastové pouzdro-plášť přístroje:



d) AC voltmetry t.p.0,5%

Magnetolektrický systém s usměřovačem !!!



Name	Range	No.	
DC Voltmeter	1 Range	50mV	1601
	2 Ranges	5/10V	1602
		1/3V	1603
		10/30V	1604
		30/100V	1605
		30/150V	1606
		100/300V	1607
		300/1000V	1608
	3 Ranges	1/3/10V	1610
		3/10/30V	1611
		30/100/300V	1612
	4 Ranges	3/10/30/100V	1614
		1/3/10/30V	1615
		10/30/100/300V	1616
		30/100/300/1000V	1617



- Principle : Moving coil type
- Accuracy : $\pm 0.5\%$ F.S.
- Scale Length : Approx. 135mm(5-3/8")
- Weight : Approx. 1.7kg
- Dimension : 196(L) \times 170(W) \times 87(D)mm
- Case Material : Bakelite with glass window



e) AC/DC voltmetry t.p.1,5% / 2%

MS 300 SERIES

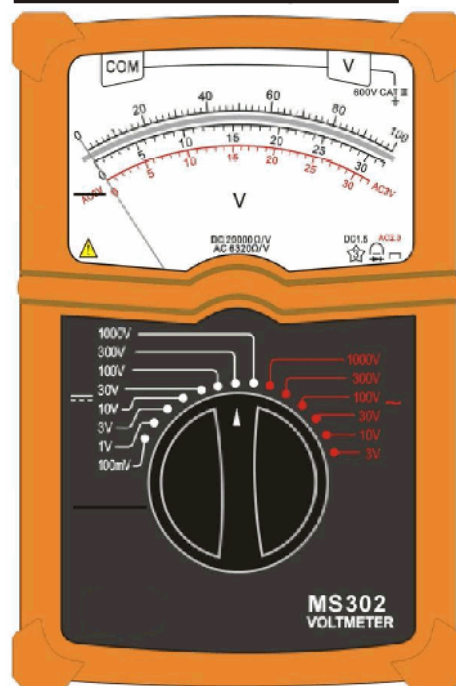
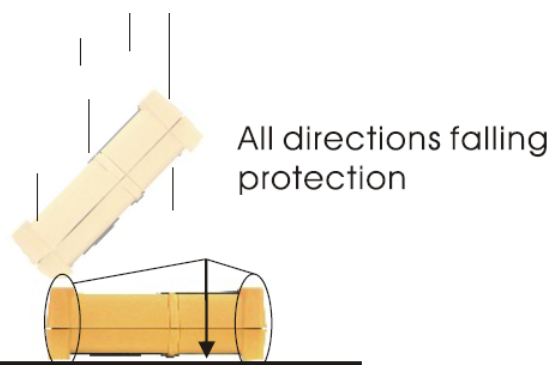
Feature

- .Sturdy, simple and extremely safe to use
- .High accuracy and reliability
- .Combination of electronic and mechanical advantage
- .Single switch for range selection
- .Safety sockets and dual insulation
- .Moulded, water-resistant casing

Technical data	MS-302
Function	AC/DC Voltage meter
Range	AC 3V~1000V(6Steps) DC 100mV~1000V(8Steps)
Accuracy	1.5%(DC), 2%(AC)
Operating frequency	20~400Hz
Fuse	Electronic Protection
Accessories	NA

Dimensions: 170×165×55 mm

Weight: 200g



f) AC voltmetry t.p.1,5%

Magnetolektrický systém s usměřovačem !!!



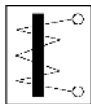
- Precision meters for plant maintenance, field servicing and educational purposes.
- Taut Band movement with rectifier type.
- Multi terminals (4mm socket) for range selection.
- Carbon pointer, mirror scale to eliminate parallax error.
- High resistance to shock and vibration.
- Accuracy: $\pm 1.5\%$ F.S.
- Scale length : 80mm.
- Dimension : 107(L) x 117(W) x 53(D)mm.
- Weight : Approx. 300g.
- Meets CE
 - EN 61010-1 CAT II 600V
 - EN 61326-1 (for 0~600V)



CE

Name	Range		No.
AC Voltmeter (Rectifier Type) Accuracy : $\pm 1.5\%$ F.S.	3 Ranges	10/30/100V	305ACV 300
		75/150/300V	305ACV 301
	4 Ranges	15/30/150/450V	305ACV 401
		100/250/500/1000V	305ACV 402
		5/30/100/300V	305ACV 403
		75/150/300/750V	305ACV 404

g) AC voltmetry t.p.0,5% nebo 1%



Portable Ammeters & Voltmeters are designed for use in the field, test rooms and laboratories where precision measurement is required. These Portable Instruments can be used equally well in precision research laboratories where carefully controlled atmosphere conditions are secured, in educational institutions where possible misuses exist and in factories where these instruments are important for making calibration check on switchboard and panel instruments.

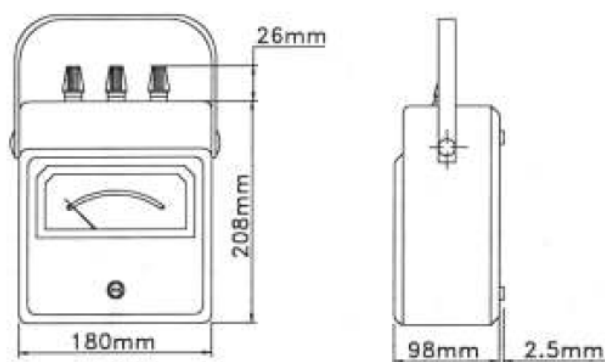
Features:

- **Knife edge Pointer & Anti-parallax mirror scale.**
- **Tough Bakelite Case :** The complete body of the instrument is made from superior grade of bakelite. Unique design makes it very strong in construction and at the same time provides very high insulation.
- **Shock resistant Pivot jewel movements :** The pivots are made from Carbon Steel hard chrome plated and are mounted in spring loaded sapphire jewels. This ensures shock resistance due to vibrations in transit and minimum friction during use.
- **Dust Proof :** The Movement is placed in a separate compartment making it completely dust proof, thus ensuring long life and years of trouble free service.
- **Minimised Heating of Voltmeters or less internal heating due to low VA-loss :** The resistance of voltmeters are housed separately in a ventilated compartment making heating problems negligible
- **Quick Response** due to unique damping.
- **Confirming to BS 89, IEC 51 & ISS 1248.**

Specifications:

- Scale Length** : 140mm approx
- Test Voltage** : 200V AC (rms) for 1 minute
- Insulation Resistance** : Over 20 Megohms at 500V DC
- Sensitivity** : 1000 ohms/V for DC Meters.

Dimensions:



Moving Iron / AC Voltmeters

Order Code	Accuracy	Range (Choose Any One)
20027	Class 0.5 as per ISS 1248/83	0-62.5/125/250V, 75/150/300V, 0-125/250/500V, 150/300/600V
20028	Class 1.0 as per ISS 1248/83	0-15, 30, 60, 75, 100, 125, 150, 250, 300, 500, 600V
20029	Class 1.0 as per ISS 1248/83	0-15/30, 30/60, 75/150, 62.5/125, 125/250, 150/300, 250/500, 300/600V
20030	Class 1.0 as per ISS 1248/83	0-15/30/60, 75/150/300, 62.5/125/250, 125/250/500, 150/300/600V
20031	Class 2.5 as per ISS 1248/83 Sensitivity 1000Ohms/V	0-7.5, 15, 30, 60, 75, 125, 150, 300, 500, 600V
20032	Class 2.5 as per ISS 1248/83 Sensitivity 1000Ohms/V	0-7.5/15, 15/30, 30/60, 75/150, 125/250, 150/300, 300/600V
20033	Class 2.5 as per ISS 1248/83 Sensitivity 1000Ohms/V	0-7.5/15/30, 15/30/75, 30/75/150, 75/150/300, 125/250/500, 150/300/600V